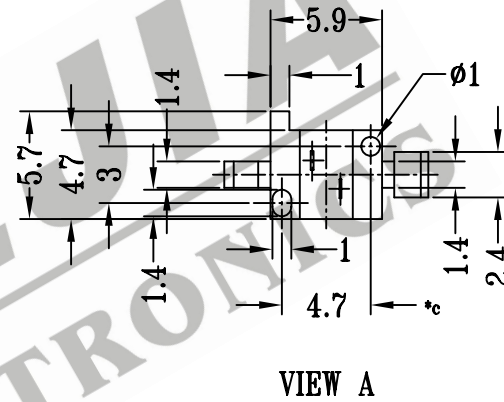
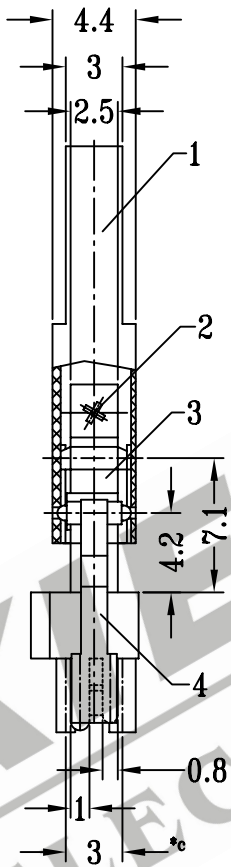
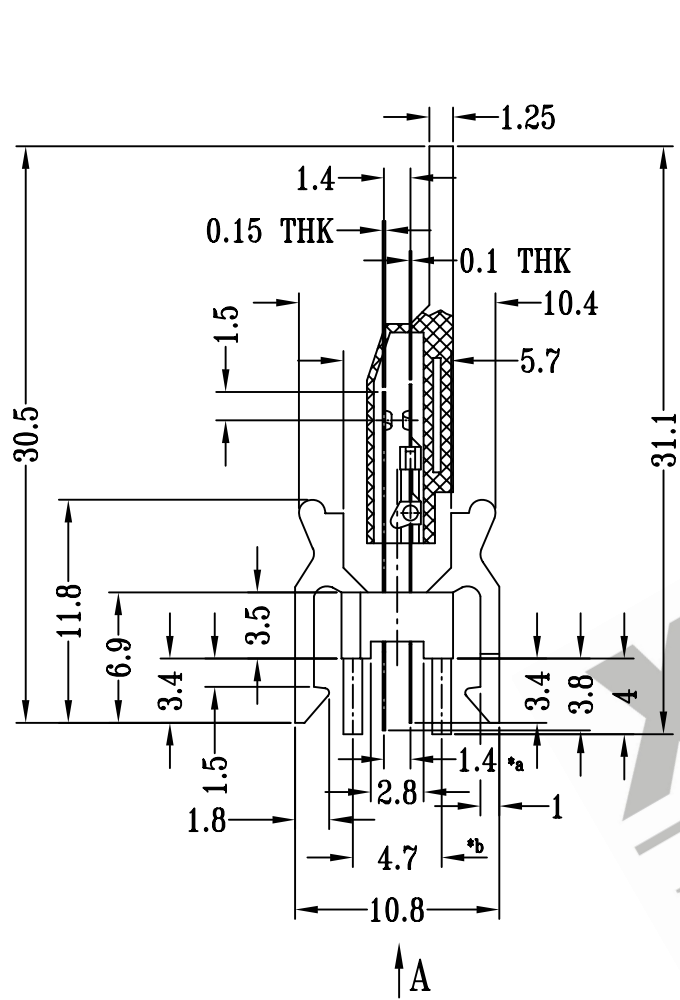
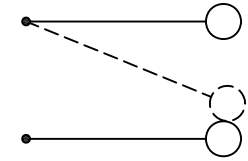


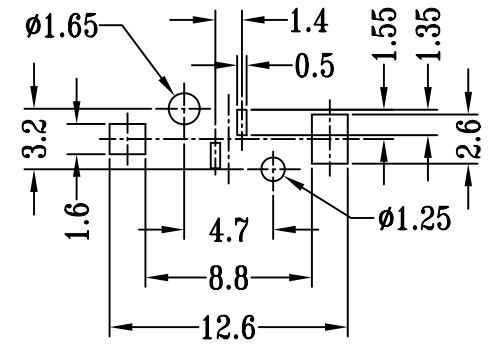
CAD FILE:



VIEW A



SCHEMATIC



P.C.B. LAYOUT

注:带"*"表示关键尺寸(3个)

8					TOLERANCE UNLESS SPECIFIED	SHENZHEN XIEJIA ELECTRONICS CO.,LTD.				
7										
6					WITHIN: 1.5±0.1mm	ISSUE	DATE	DESCRIPTIONS OF REVISION		APPD.
5	TERMINAL	PBS STRIP	1	WASHING	OVER : 1.5±0.2mm					
4	CASE	POM	1	BLACK	TITLE : LEAF SWITCH		UNIT : mm	DRWG NO.: XJ-DR-LF1731-00		
3	SPRING TERMINAL	PBS STRIP	1	WASHING	MODEL: LF-1731		SCALE: 5 : 2	DWN.	ZHOUYU	2004-10-23
2	CONTACT	SILVER	2	NATURAL	ALL MATERIALS MUST BE COMPLIANT TO ROHS			CHK'D	FANGYING	2004-10-23
1	NOB	PC	1	CLEAR				APPD.	KANGXINAN	2004-10-23
NO.	PARTS	MATERIALS	Q'TY	FINISH						